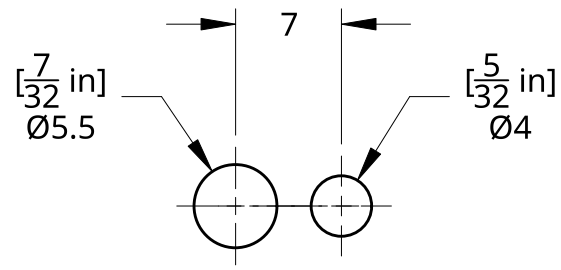
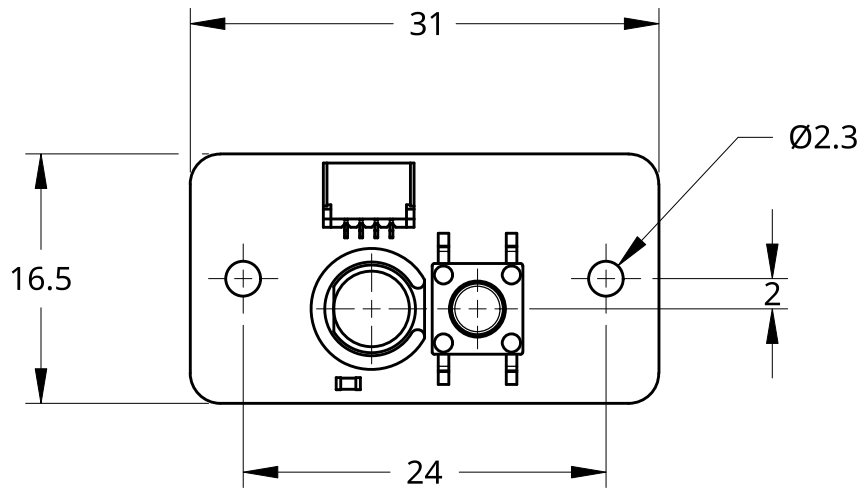


2

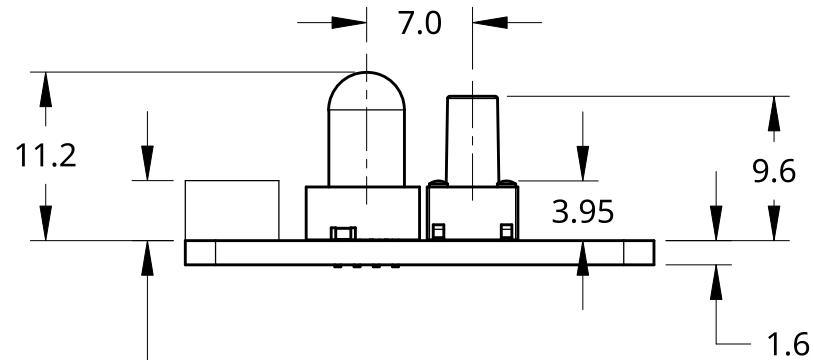
1

B

B





CLEARANCE HOLE DIMENSIONS
FOR LED AND PUSH-BUTTON
SWITCH INSTALLATION



$\left[\frac{5}{32}\text{ in}\right]$ SPACER BLOCK
3.97 AS PROVIDED

A

A

UNLESS OTHERWISE SPECIFIED, DIMENSIONS ARE IN MILLIMETERS ANGULAR = ± ° SURFACE FINISH  DO NOT SCALE DRAWING BREAK ALL SHARP EDGES AND REMOVE BURRS THIRD ANGLE PROJECTION 	DRAWN	NAME PAUL EMMERSON	DATE 02/24/26	TITLE CONTROL_PANEL DIMENSIONS		
	CHECKED					
	APPROVED					
	MATERIAL	FINISH	SIZE A	DWG NO. CF0060	REV. V2.0	
			SCALE 2:1	WEIGHT	SHEET 1 of 1	

2

1